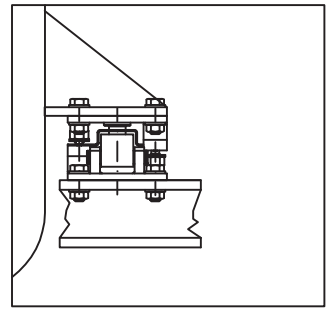
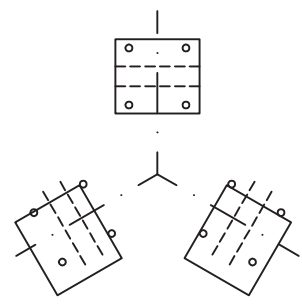


- ① SLABS BLOCKING LATERAL MOVEMENT
- ② 2 CELL BLOCKING PINS
- ③ NUTS TO BE USED AS SCREW JACK
- ④ OVERTURN-PROOF NUTS

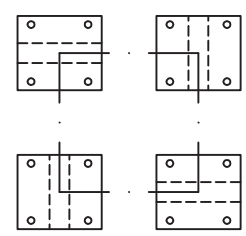
INSTALLATION EXAMPLE



EXAMPLE OF POSITIONING THE CONSTRAINTS IN A STRUCTURE WITH 3 BASES PLACED AT 120°



EXAMPLE OF POSITIONING THE CONSTRAINTS IN A STRUCTURE WITH 4 BASES




IMPORTANT NOTES FOR PROPER INSTALLATION

Kit KDSBN and designed to allow the proper functioning of the cells and the required accuracy in weighing, without covering protection function and structure of the cell.

The installer must examine the solutions needed to protect the system against lateral forces, overturning and overhead as a function of:

- shock and vibration;
- wind pressure;
- seismic classification of the installation;
- consistency-based support.

 <b>DINI ARGEO</b> Bilance-Sistemi di pesatura	DATA-DATE	16/05/07	DESEGN.-DRAWED	L.G.	SCALA-SCALE	-	FOGLIO-SHEET	A4	
	DESCRIZIONE DESCRIPTION	DIMENSIONS AND POSITIONING OF KDSBN ASSEMBLY KIT							
NOTE NOTES	CODICE CAD CAD CODE	274F67							
	CODICE CODE	-							