

## Stainless Steel Shear Beam Load Cell

### FEATURES

- Capacities 500–2000 kg
- Stainless steel construction
- OIML R60 approved
- Sealed to IP67
- **Optional**
  - EEx ia IIC T6 hazardous area approval



### APPLICATIONS

- Low profile platforms
- Pallet truck weighing
- Tank and silo weighing
- Food industry platforms

It has high immunity to shock or side loading, and is available in 2 mV/V sensitivity and is approved to OIML 6000 divisions.

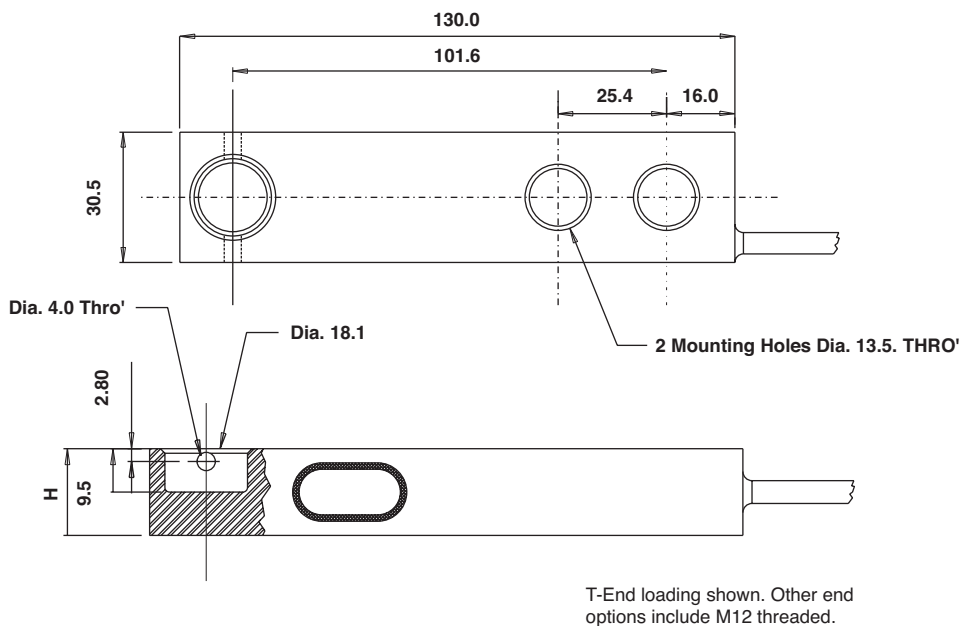
Sealed to IP67 as standard the 3520 is ideally suited for harsh industrial applications where performance and durability are paramount.

### DESCRIPTION

Model 3520 is a low profile shear beam load cell designed for high accuracy platform scales, pallet scales and process weighing applications.

The extremely low profile makes this load cell ideal for today's modern low profile industrial platforms.

### OUTLINE DIMENSIONS in millimeters



CAPACITY (kg)	H
500	19.0 (0.748")
1000	19.0 (0.748")
2000	28.0 (1.102")

Stainless Steel Shear Beam Load Cell

SPECIFICATIONS			
PARAMETER	VALUE		UNIT
Rated capacity—R.C. (E <sub>max</sub> )	500, 1000, 2000		kg
OIML accuracy class	Non-Approved	C3 <sup>(1)</sup>	
Maximum no. of intervals (n)	1000	3000	
Y = E <sub>max</sub> /V <sub>min</sub>	2000	6000	Maximum available 15000
Rated output—R.O	2.0		mV/V
Rated output tolerance	0.1		±% of rated output
Zero balance	2		±% of rated output
Zero return, 30 min.	0.050	0.017	±% of applied load
Total error	0.0500	0.0200	±% of rated output
Temperature effect on zero	0.007	0.0023	±% of rated output/°C
Temperature effect on output	0.0030	0.0010	±% of applied load/°C
Temperature range, compensated	-10 to +40		°C
Temperature range, safe	-30 to +90		°C
Maximum safe central overload	150		% of R.C.
Ultimate central overload	300		% of R.C.
Excitation, recommended	10		VDC or VAC RMS
Excitation, maximum	15		VDC or VAC RMS
Input impedance	380±15		Ω
Output impedance	350±3		Ω
Insulation resistance	>2000		MΩ
Cable length	3		m
Cable type	4-wire, braided, polyurethane, floating screen		Standard
Construction	Stainless steel		
Environmental protection	IP67		
Recommended torque	136.0		N*m

<sup>(1)</sup> 50% utilization

All specifications subject to change without notice.

WIRING SCHEMATIC DIAGRAM

